

MS-40 Pyranometer

Class C, Spectrally Flat



Overview

The MS-40 is an ISO 9060:2018 Class C pyranometer based on EKO's universal sensor platform. It is the most cost-effective irradiance sensor to measure Solar irradiance across the entire solar spectrum and is designed for agro-meteorological networks and professional small scale PV sites.

Featuring an analog (mV) output, every MS and S-Series Pyranometer, including the MS-40, is compatible with the optional MV-01 ventilator & heater and albedo mounting kit and is manufactured with strict quality controls and performance standards.

EKO provides a unique calibration compliant with the international standards defined by ISO 17025 and IEC 9847.

The sensor also has a 5-year warranty with a two year recommended recalibration interval and no requirement to change the desiccant.

Features



Class-leading & competition-beating response time



Unbeatable reliability, with a 5 Year warranty & 2-year recommended recalibration interval



Most cost-effective irradiance sensor for agro-meteorological networks



Compatible with MV-01 external heating & ventilation unit to reduce condensation, dust, and snow accumulation on the glass dome.

ISO Specifications

ISO 9060:2018 Parameters	CLASS C	MS-40
Response time 95%	<30s	<18s
Zero offset A - Thermal Radiation (200W/m ²)	± 30W/m ²	± 12W/m ²
Zero offset B - Temperature change (5K/hr)	± 8W/m ²	± 5W/m ²
Zero offset C - Total zero off-set	± 41W/m ²	± 17W/m ²
Non-stability (change/year)	± 3%	< 1.5%
Non-linearity (100 to 1000W/m ²)	± 3%	± 1%
Directional Response (at 1000W/m ² 0 to 80°)	± 30W/m ²	± 20W/m ²
Spectral Error	± 5%	± 0.2 %
Temperature Response (-20°C to 50°C)	-	± 4%
Tilt Response (0-90° 1000W/m ²)	± 5%	± 1%
Additional Signal Processing error	± 10W/m ²	N/A

Accessories



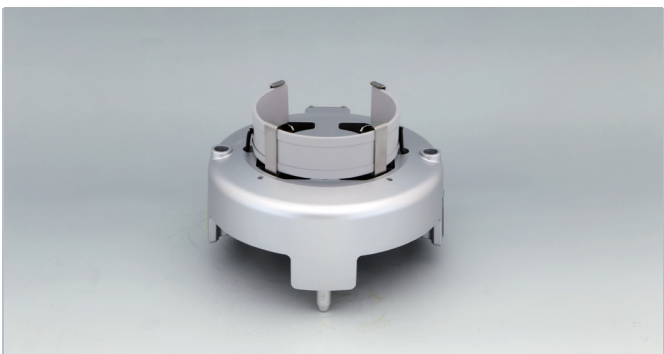
Solar Monitoring Station

Combine the class-leading MS-60 with EKO's ultra-accurate MS-57 pyrheliometer & the STR-Series automated sun tracker for second-to-none GHI, DHI & DNI measurements for PV site evaluation, performance monitoring, and cell optimisation.



MS-Albedo Kit

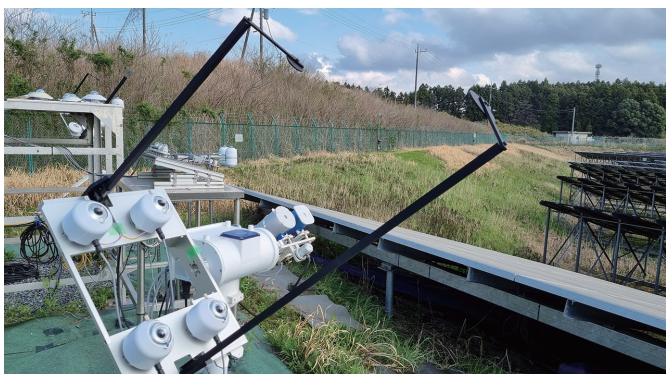
The MS-Albedo kit can be used with any MS or S-Series EKO pyranometer, allowing two pyranometers to be deployed for albedo or reflected irradiance measurements for Bi-facial PV applications. The robust aluminium and stainless steel parts provide a reliable solution for easy, on-site assembly.



MV-01

The MV-01 ventilator and heater is an optional add-on, compatible with all MS series sensors, that keeps the MS-40 free from dew, ice and snow. Proven in challenging environmental conditions, the MS-40 plus MV-01 is a go-to option globally for solar parks and weather monitoring sensor networks of all sizes.

Applications



Designed for scientific research, industrial applications, and photovoltaic system performance monitoring, the MS-40, with EKO's universal sensor design assures best in class accuracy, speed and reliability whatever your application.

Built to last, with a 5-year warranty, 2-year recalibration interval, low-zero offset, and incredible stability, the MS-40 is an ideal choice for utility-scale applications and other large-scale projects.



MS-40 Technical Features

Wavelength Range (nm)	285 to 3000
Irradiance range (W/m ²)	0 to 2000
Operating temperature	-40 to 80°C
Power Consumption	0 W
Ingress Protection	IP 67
Calibration traceability / uncertainty	ISO 17025 / WRR / < 0.7% (k = 1.96)
Standard Cable Length	10m (Optional lengths 20m, 30m, 50m)

Related Products



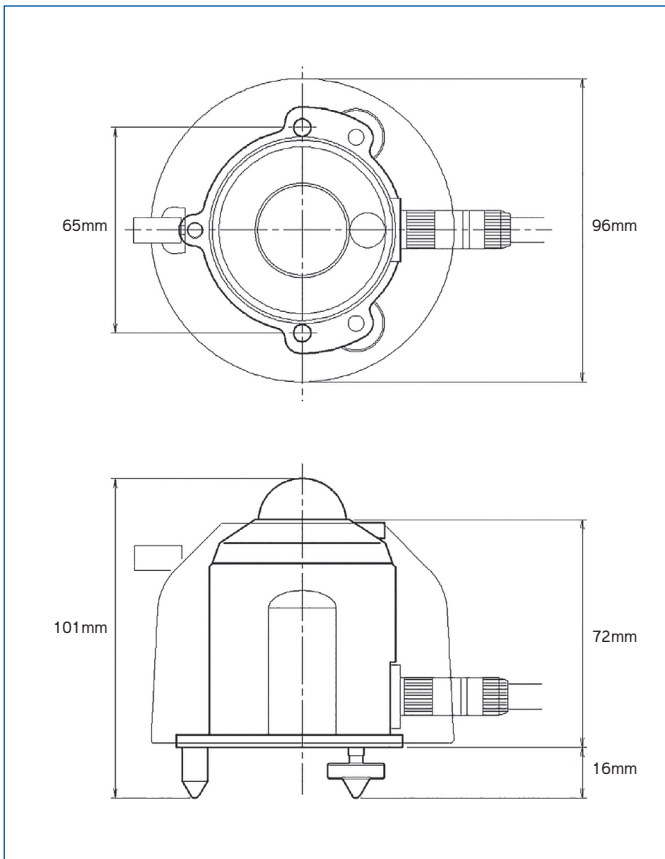
S-Series Pyranometers

The IEC 61724-1 compliant and ISO 9060:2018 class-leading range of S-Series Pyranometers from EKO Instruments set a new standard in pyranometer performance and design, delivering unbeatable accuracy, reliability, and value.

The S-Series features onboard diagnostics, a 5-year warranty, 5-year recalibration interval, a unique 4-channel digital/analog interface, and superior electronic protection in every class, ideal for monitoring photovoltaic system performance, scientific research, meteorological applications, and more.

Explore EKO now, or get in touch to learn more about the Class A MS-80S and MS-80SH, the Class B MS-60S and Class C MS-40S, the most accurate, reliable and robust family of pyranometers in the world.

Technical Diagram



QR

Use the QR code to visit our website, contact our team, or to find out more about the **MS-40**, other related products, and the full range of Class and industry-leading pyranometers from EKO.



Explore EKO

Made in Japan for over 90 years, EKO solar energy sensors and environmental instruments are built on a legacy of innovation, an uncompromising commitment to quality, and industry-leading accuracy.

With a range of products and services to suit every project or application requirement, explore EKO now, or get in touch to find out how EKO Instruments can help you.



Albedometers



Pyranometers



Pyrheliometers



Spectro-Radiometers



Sky Imagers



DNI Sensors



Pyrgeometers



I-V Measurement



Solar Monitoring Stations



Sun Trackers



Sensor Signal Converters



Heat Flux



UV Sensors



Temperature Sensors



Sky Scanners



Thermal Cond. Testers

EKO Instruments Co. Ltd

info@eko.co.jp
+81-3-3469-6713

EKO Instruments Sales India

sales-in@eko-instruments.com
+91 9869047721

EKO Instruments Europe B.V.

sales-eu@eko-instruments.com
+31-0-703050117

EKO Instruments Sales China

sales-cn@eko-instruments.com
+81-3-3469-6713

EKO Instruments USA Inc.

sales-usa@eko-instruments.com
+1-408-977-7751

eko-instruments.com